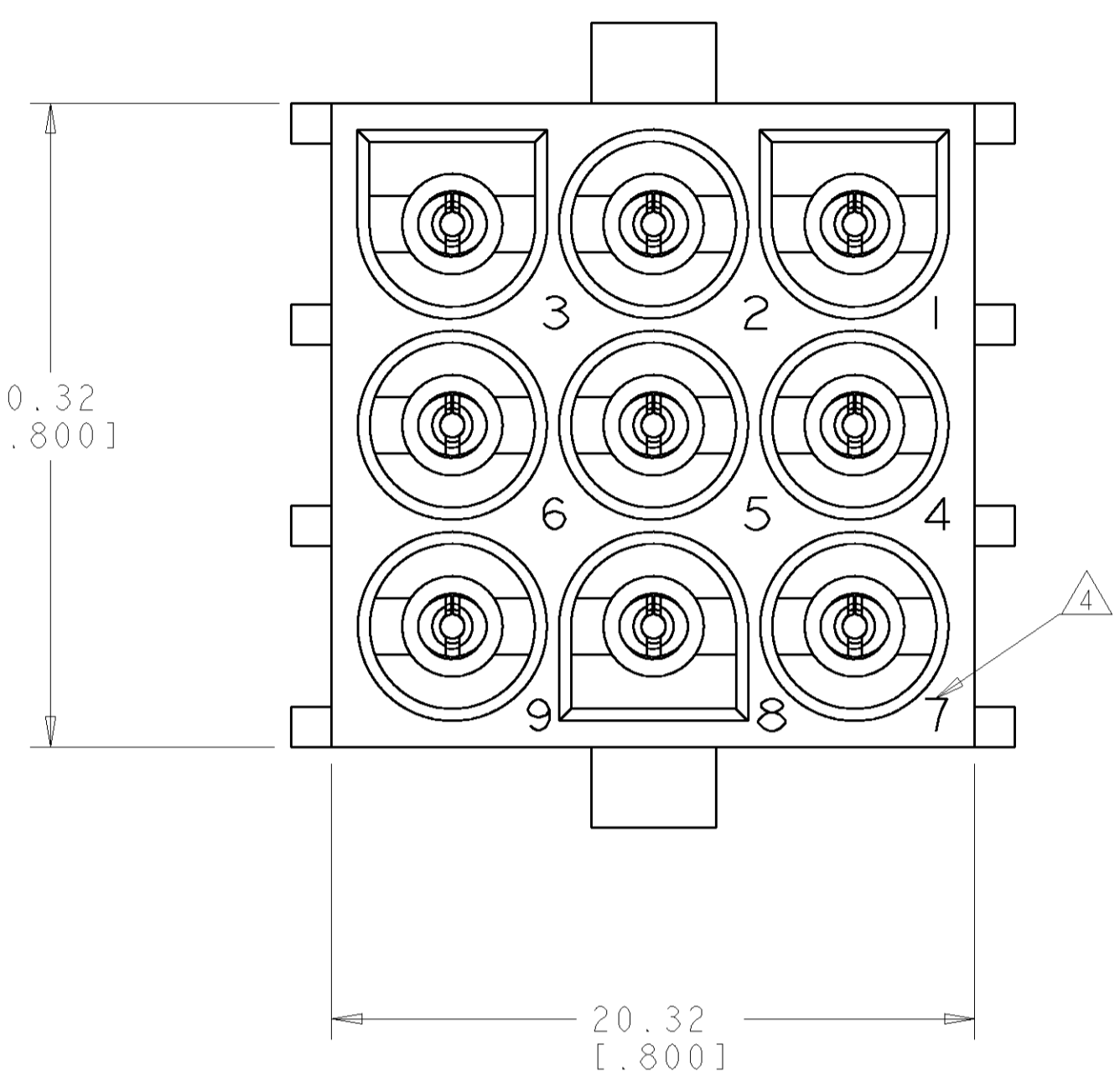
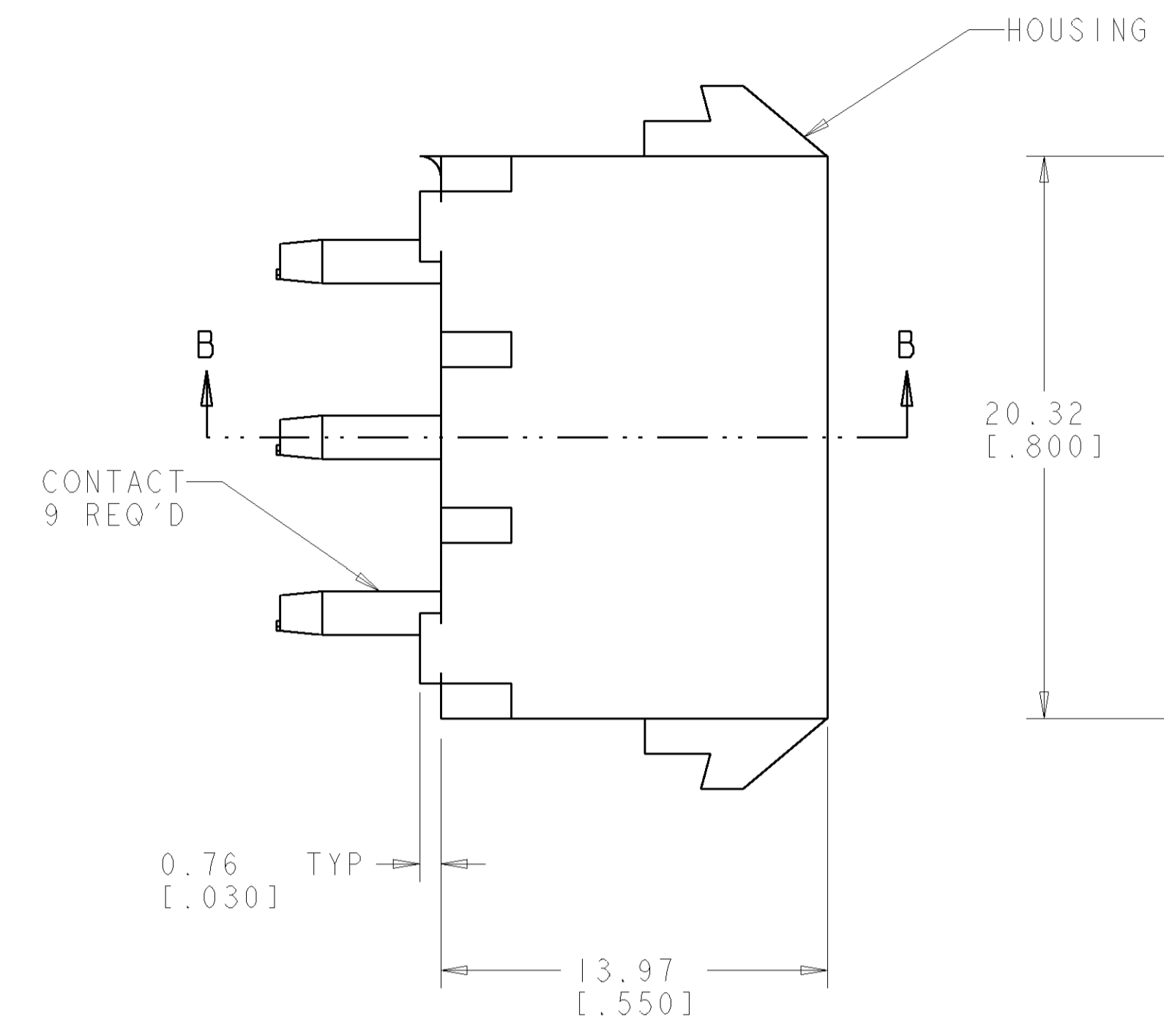
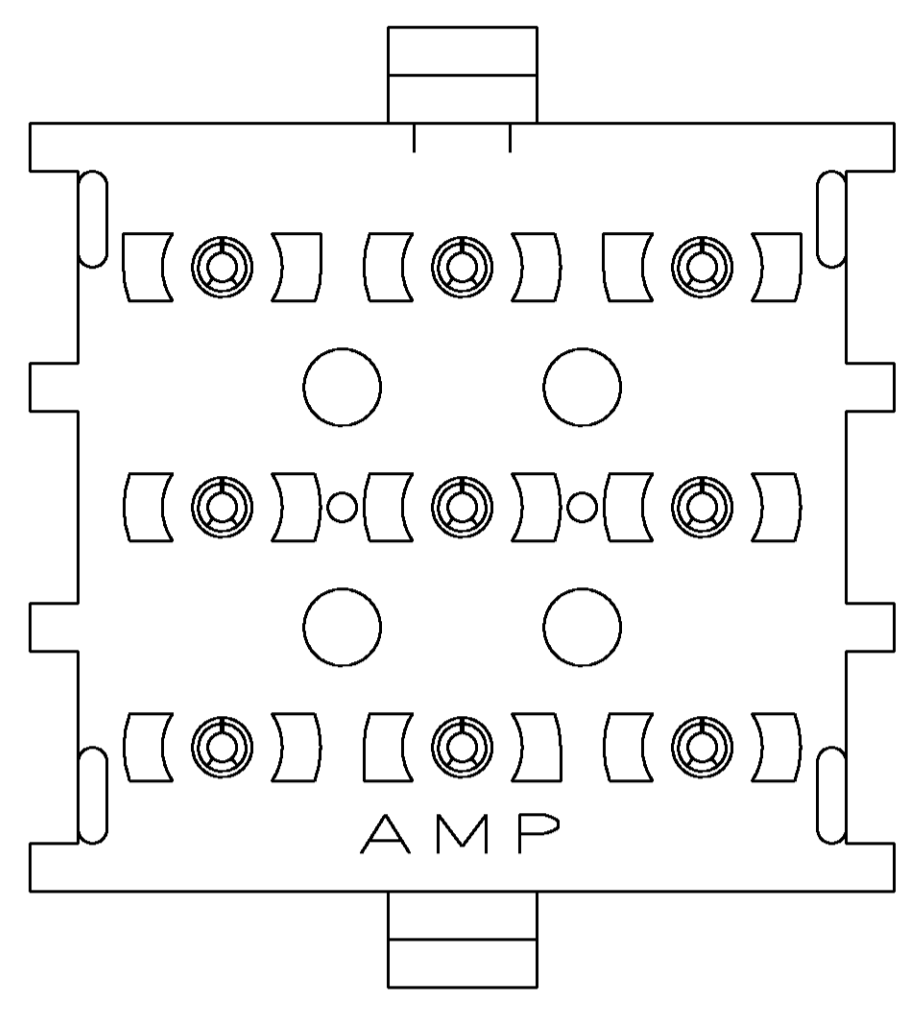
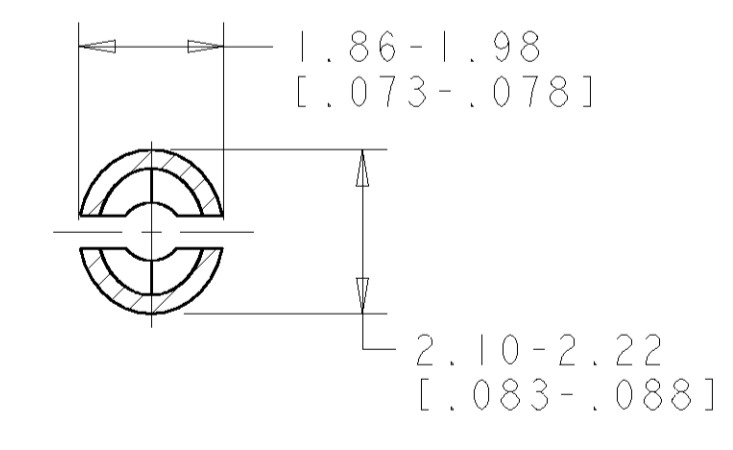
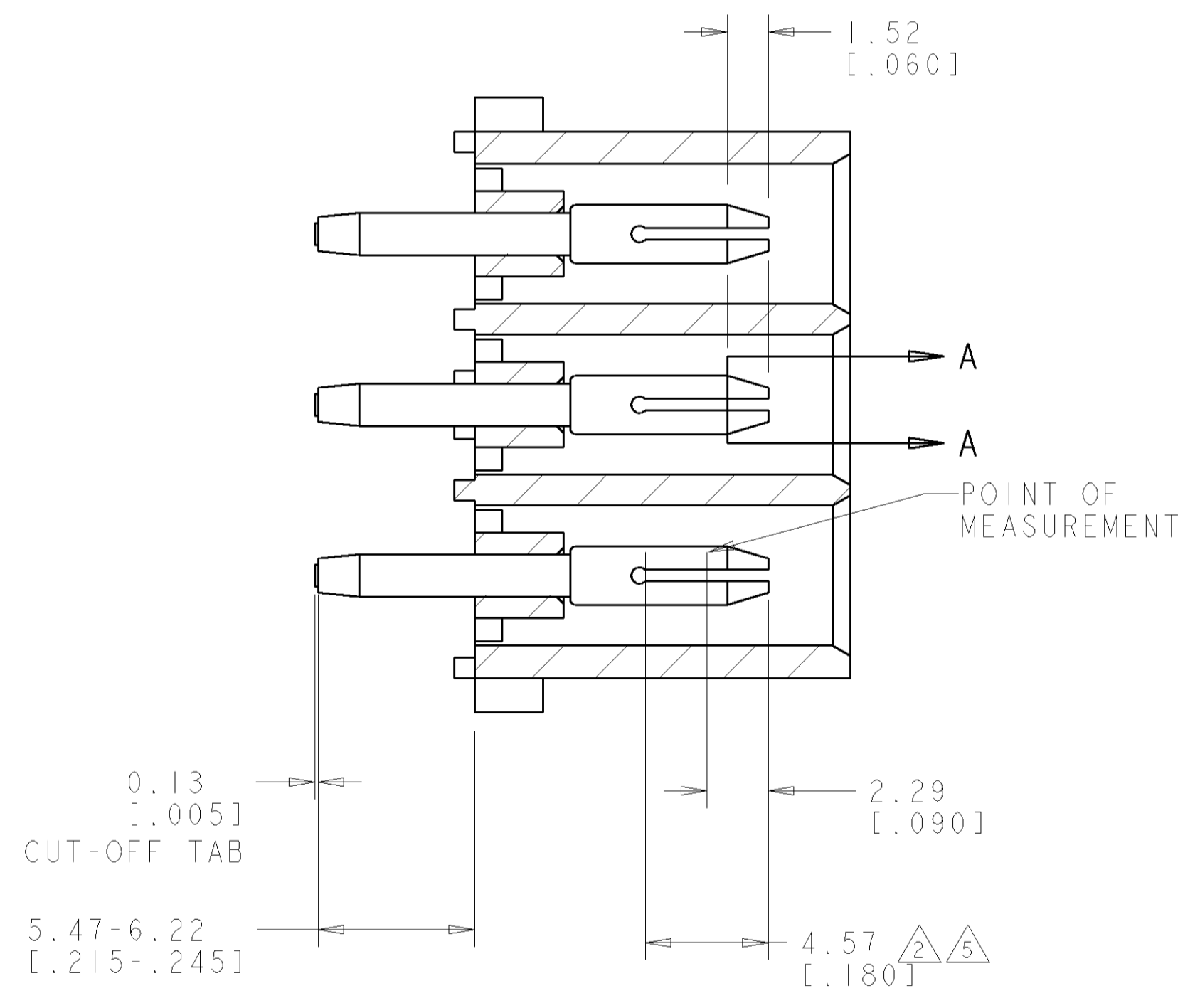


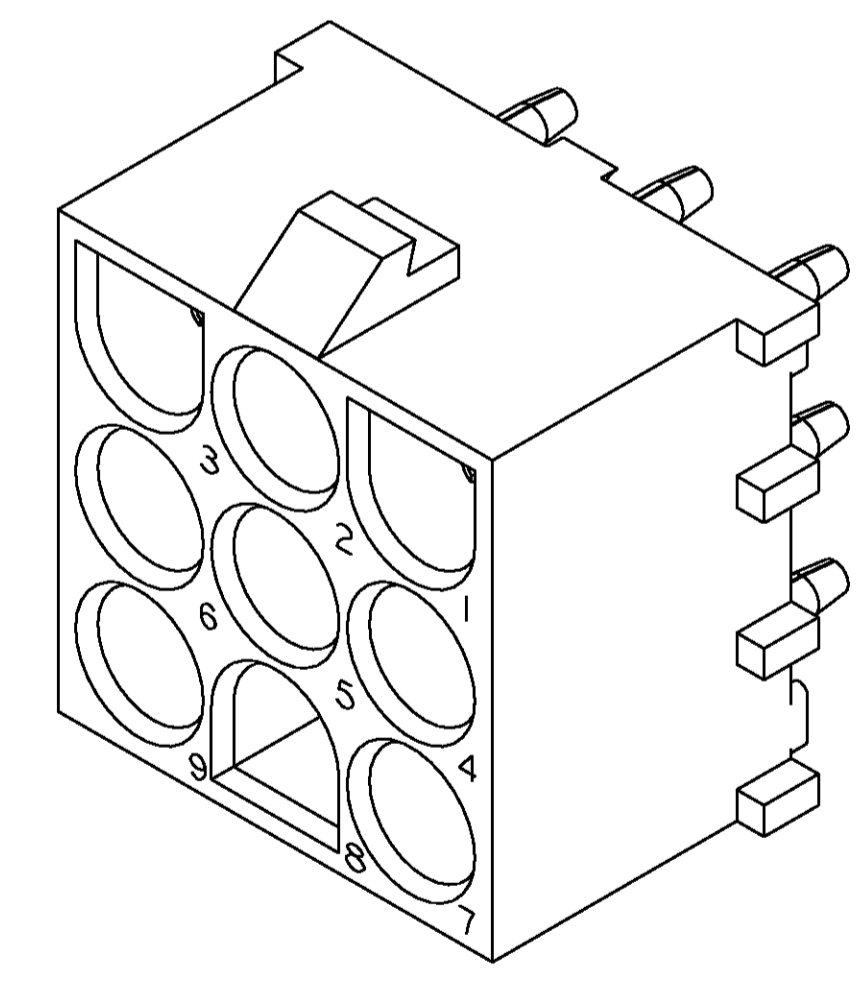
LOC		DIST		REVISIONS			
CM	00	P	LTR	DESCRIPTION	DATE	DWN	APVD
		P		REVISED PER 0638-1100-04	05OCT05	KW	SR



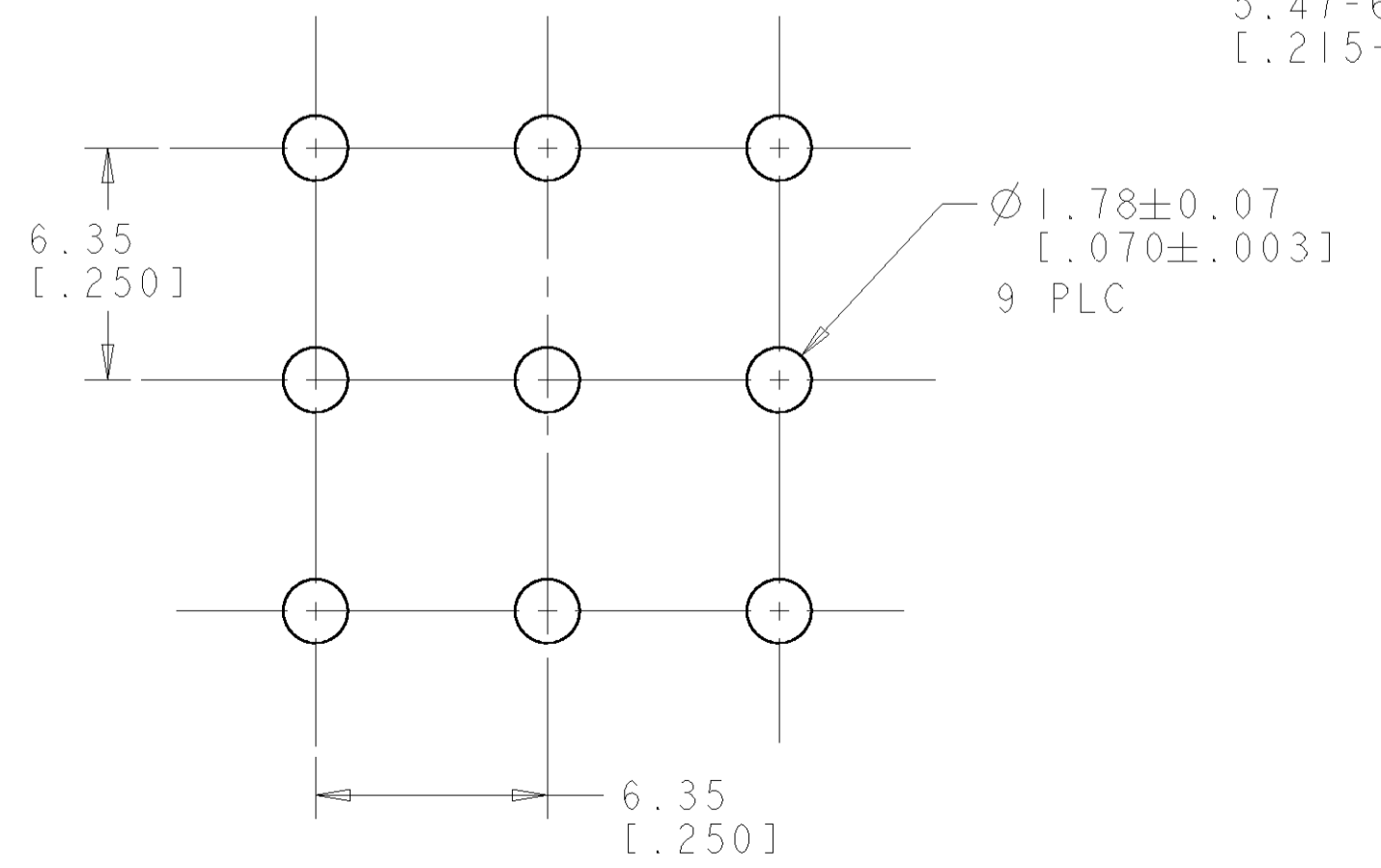
1. PARTS COMPLY TO AMP SOLDERABILITY SPECIFICATION 109-11-3.
2. CONTACT IS PLATED OVERALL WITH 0.00127 [.000050] NICKEL, THEN 0.00076 [.000030] GOLD OVER CONTACT LENGTH INDICATED AND TIN LEAD ON SOLDER TAIL END.
3. MATES WITH HOUSING 350720.
4. CIRCUIT IDENTIFICATION CHARACTERS ARE ADJACENT TO THE INDICATED CAVITIES, BUT LOCATION AND ORIENTATION MAY DIFFER FROM PRINT.
5. CONTACT IS PLATED OVERALL WITH 0.00127 [.000050] NICKEL, THEN 0.00076 [.000030] GOLD OVER CONTACT LENGTH INDICATED AND MATTE TIN ON SOLDER TAIL END.
6. DIMENSIONS IN BRACKETS ARE IN INCHES.



SECTION A-A
SCALE 10:1

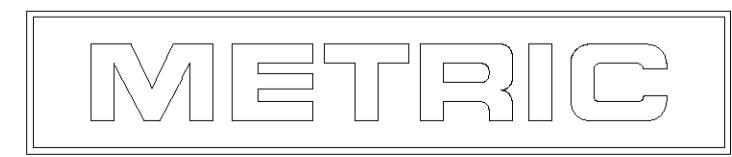


3 DIMENSIONAL MODEL
SCALE 4:1



RECOMMENDED MOUNTING HOLE PATTERN
FOR 1.57 [.062] THICK P.C. BOARD

PHOSPOR BRONZE, GOLD 5	NYLON, UL94V-0,NATURAL	350742-4
PHOSPOR BRONZE, GOLD 2	NYLON, UL94V-0,NATURAL	350742-2
PHOSPOR BRONZE, PRE-TIN	NYLON, UL94V-0,NATURAL	350742-1
PIN CONTACT MATERIAL AND FINISH	HOUSING MATERIAL AND COLOR	PART NUMBER



DIMENSIONS: mm [INCHES]		TOLERANCES UNLESS OTHERWISE SPECIFIED: 0 PLC ± 1 PLC ±0.13(.005) 3 PLC ± 4 PLC ± ANGLES 40°±10°		DWN R. WHITAKER 05OCT2005 ENR S. RIDGILL 05OCT2005 APVD S. RIDGILL 05OCT2005		Tyco Electronics Harrisburg, PA 17105-3608	
MATERIAL SEE TABLE		FINISH SEE TABLE		NAME PRODUCT SPEC APPLICATION SPEC WEIGHT CUSTOMER DRAWING		PIN HEADER ASSEMBLY, 9 CIRCUIT, LONG TAIL, UNIVERSAL MATE-N-LOK(TM)	
SCALE 1:1		SHEET 1 OF 1		REV P		SIZE CAGE CODE DRAWING NO A1 00779 C=350742	